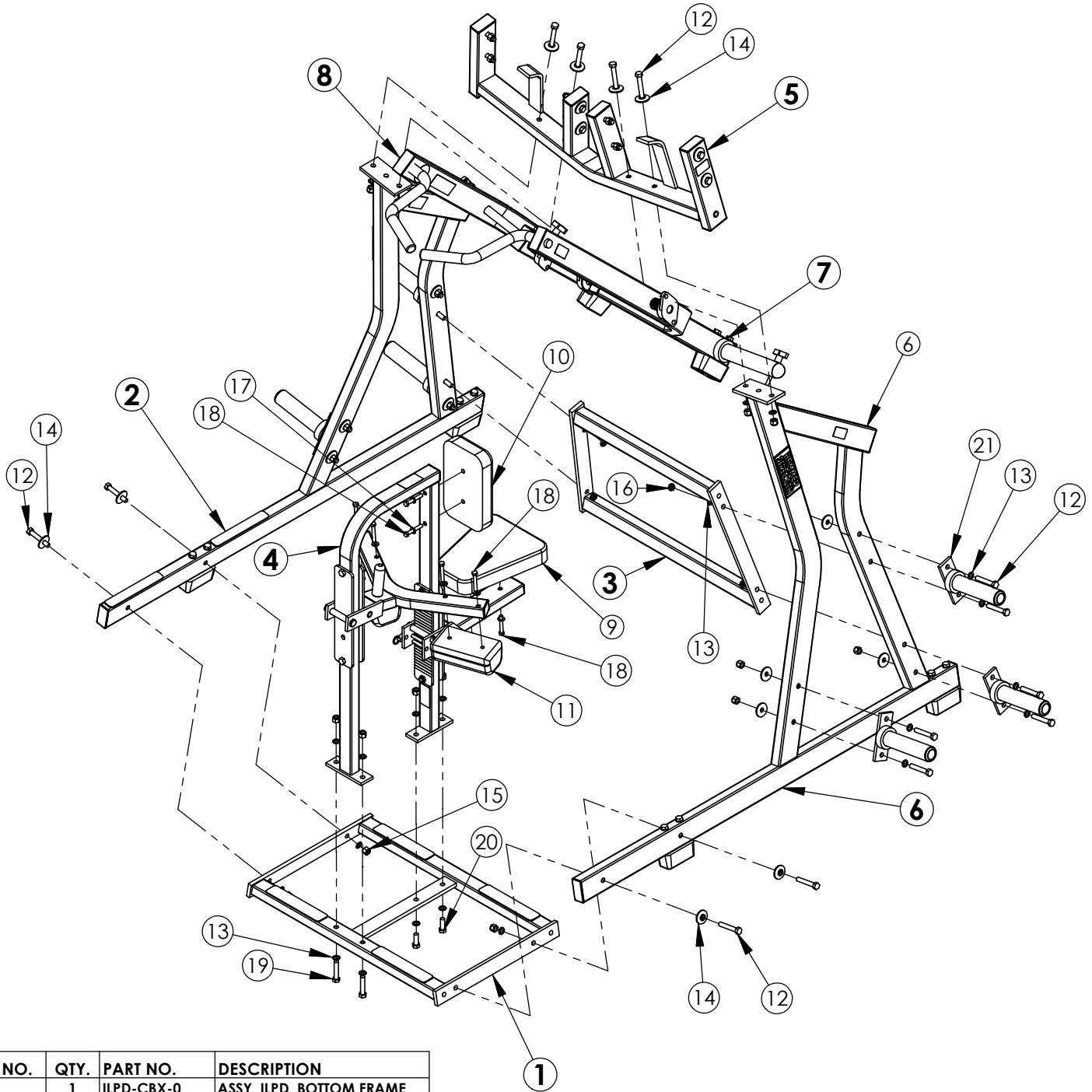


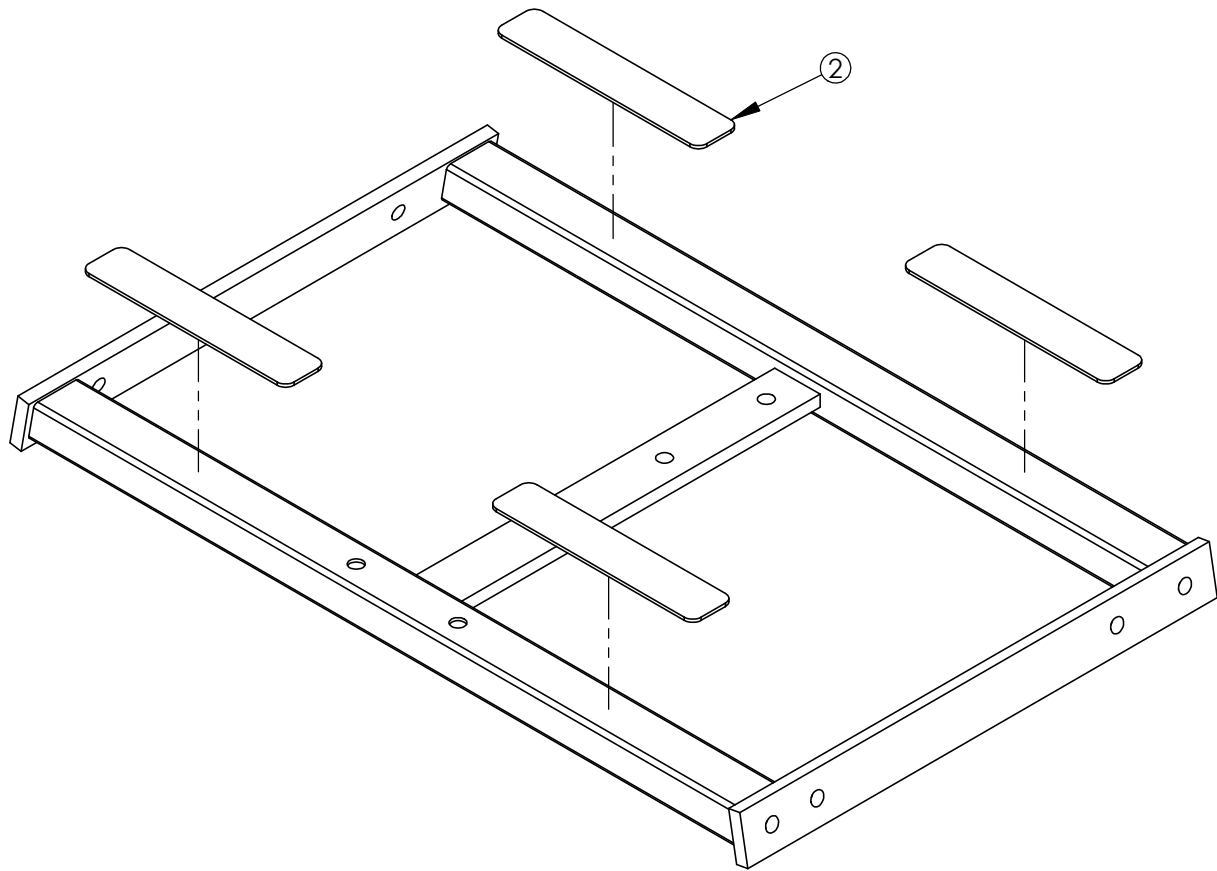
WEIGHT = 320.4 LB
LENGTH = 48"
WIDTH = 47"
HEIGHT = 73"

HAMMER STRENGTH EQUIPMENT ILPD EXPLODED



ITEM NO.	QTY.	PART NO.	DESCRIPTION
1	1	ILPD-CBX-0	ASSY, ILPD, BOTTOM FRAME
2	1	ILPD-CSFR-1	ASSY, ILPD, RIGHT SF
3	1	ILPD-FX-0	WLDMT, ILPD, REAR H-FRAME
4	1	ILPD-CST-0	ASSY, ILPD, SEAT FRAME
5	1	ILPD-CTX-1	ASSY, ILPD, TOP FRAME
6	1	ILPD-CSFL-1	ASSY, ILPD, LEFT SF
7	1	ILPD-CMAL-2	ASSY, ILPD, LEFT MARM
8	1	ILPD-CMAR-2	ASSY, ILPD, RIGHT MARM
9	1	U-12-5	SEAT PAD
10	1	U-10-4.5S-WC	PAD, 10-4.5
11	2	U-4W	KNEE PAD
12	20	HHB.5X3	1/2 X 3 BOLT
13	32	WASH.5STAR	1/2" INTERNAL LOCK WASHER
14	16	H-BACK-WASH	BACKING WASHER
15	20	NUT.SLOCK	1/2 DIA THICK LOCK NUT
16	4	NUT.5JAMLOCK	1/2 THIN LOCK NUT
17	8	WASH.375SAE	3/8" SAE FLAT WASHER
18	8	HHB.375X2.5	STEEL BOLT 3/8 X 2.5
19	2	HHB.5X2.5	1/2 X 2 1/2 BOLT
20	2	HHB.5X1.5	BOLT, HEX HEAD 1/2 X 1-1/2
21	6	H-HORN-ASSY	ASSY, WEIGHT HORN

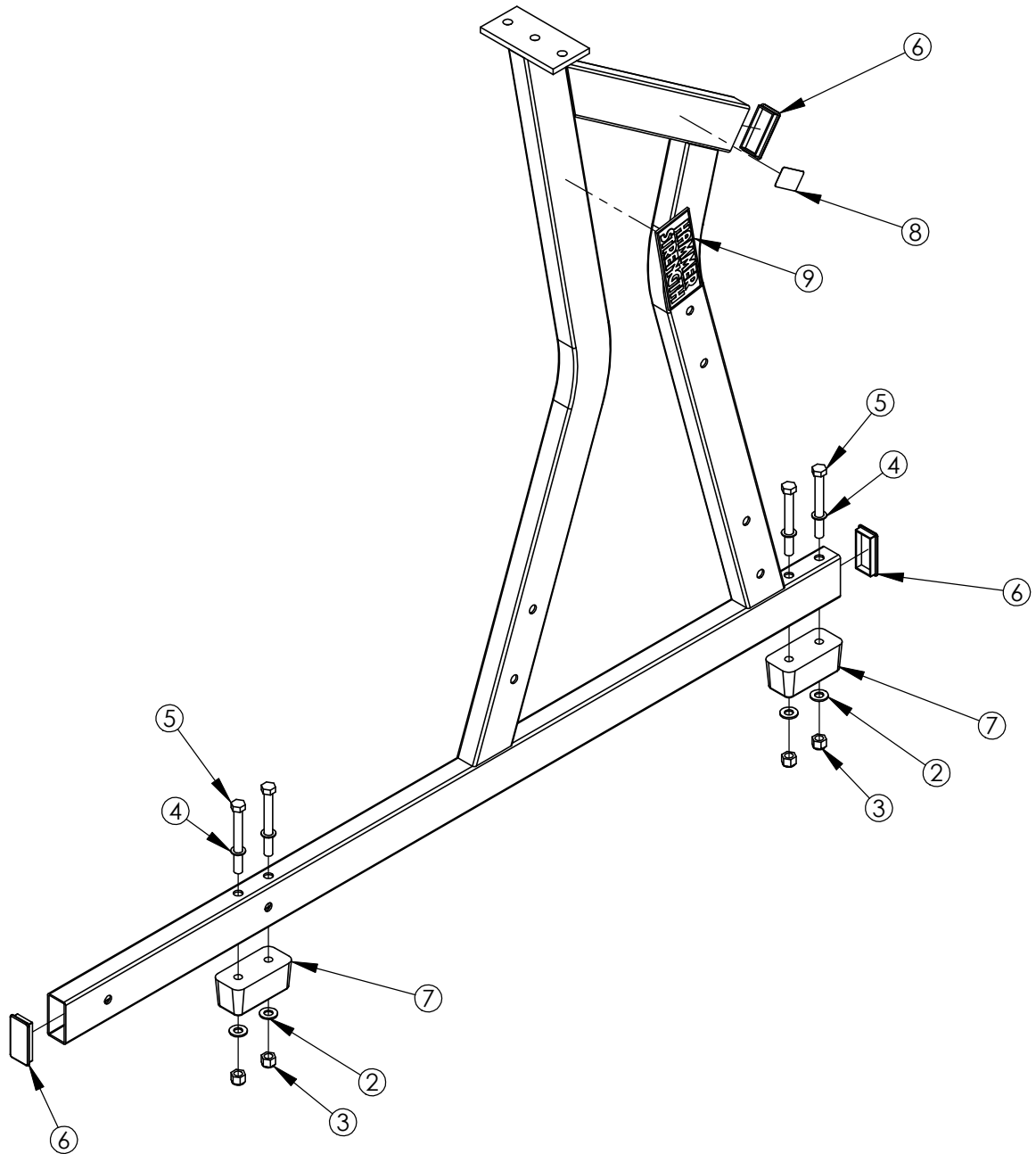
HAMMER STRENGTH EQUIPMENT
ILPD-CBX-0, ASSY, ILPD, BOTTOM FRAME



WEIGHT = 30 LB
 LENGTH = 20 3/4"
 WIDTH = 32 5/8"
 HEIGHT = 2 1/8"

ITEM NO.	QTY.	PART NO.	DESCRIPTION
2	4	H-NONSKID 2X9	PLASTIC NON SKID STRIP 2 X 9

HAMMER STRENGTH EQUIPMENT
ILPD-CSFL-1, ASSY, ILPD, LEFT SF

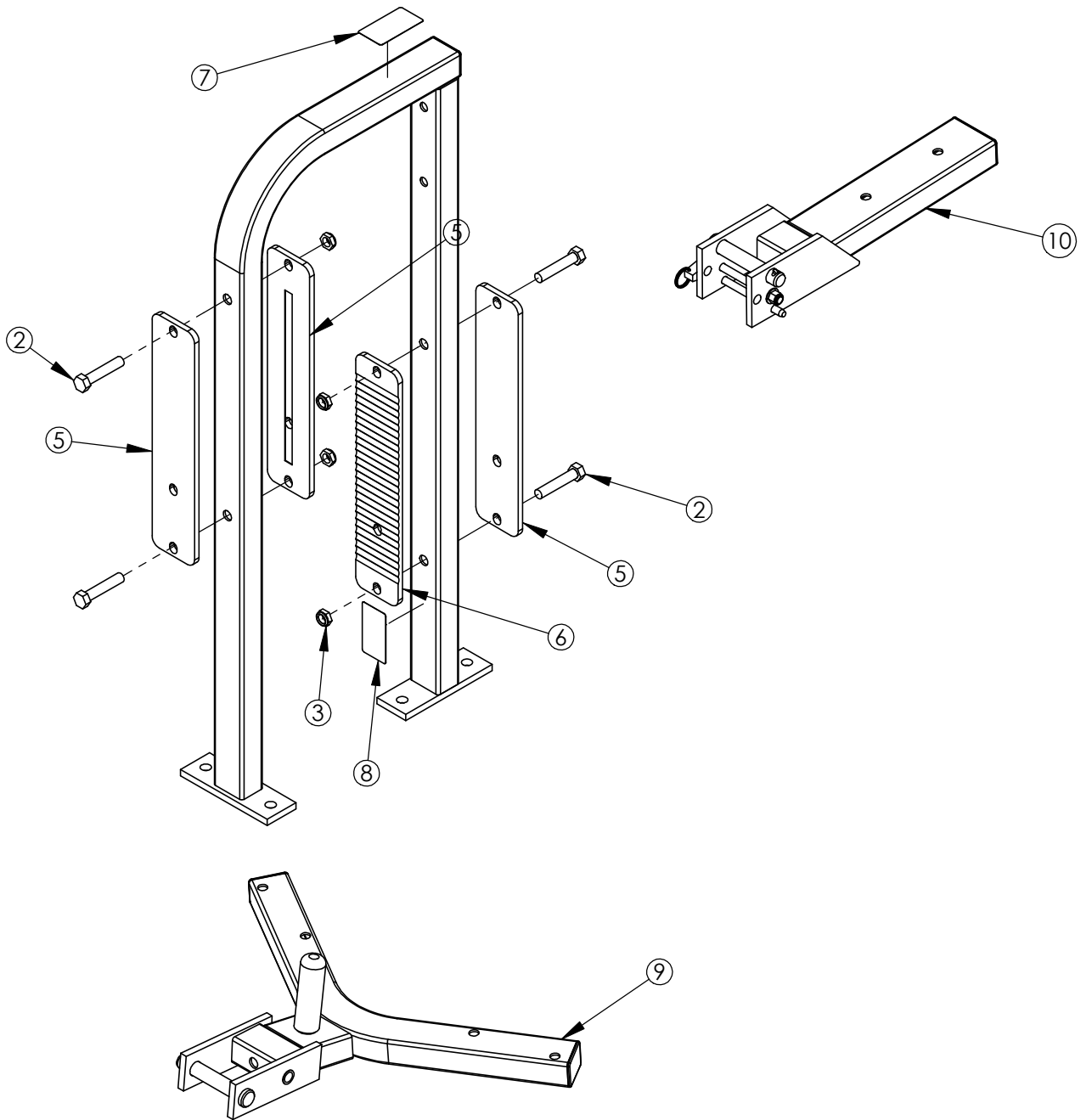


ITEM NO.	QTY.	PART NO.	DESCRIPTION
2	4	WASH.5SAE	1/2" SAE FLAT WASHER
3	4	NUT.5LOCK	1/2 DIA THICK LOCK NUT
4	4	WASH.5STAR	1/2" INTERNAL LOCK WASHER
5	4	HHB.5X4.5	1/2 X 4 1/2 BOLT
6	3	RC1530-1Q1	CAP:1-1/2 X 3 RECTANGLE PLUG
7	2	H-BUMP-MED	MM2 MEDIUM
8	1	STAY CLEAR	STAY CLEAR DECAL
9	1	H-NAME PLATE	NAMEPLATE (45156-P)

WEIGHT = 53 LB
 LENGTH = 64 1/4"
 WIDTH = 6"
 HEIGHT = 55 3/8"

HAMMER STRENGTH EQUIPMENT

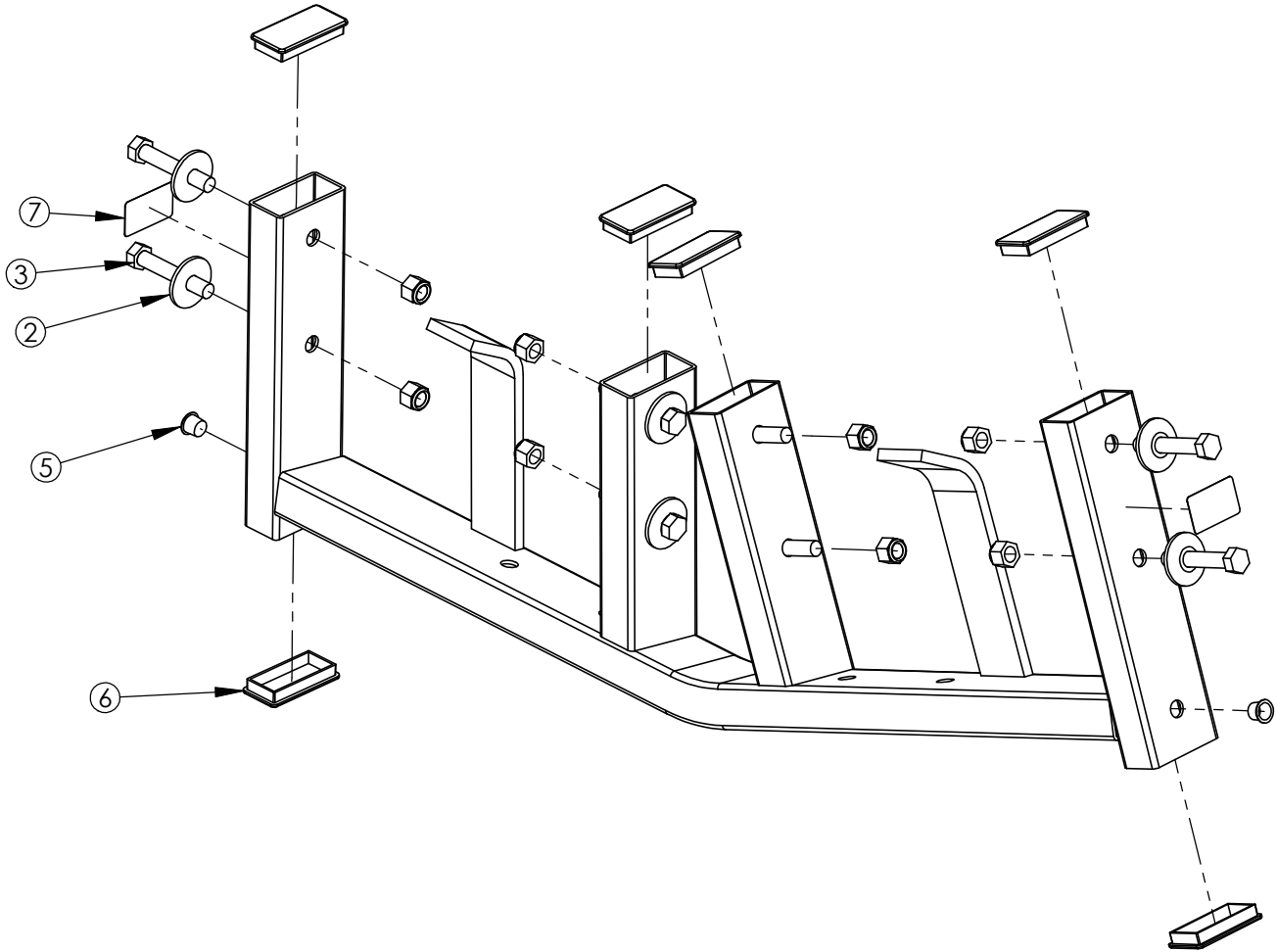
ILPD-CST-0, ASSY, ILPD, SEAT FRAME



ITEM NO.	QTY.	PART NO.	DESCRIPTION
2	4	HHB.5X2.5	1/2 X 2 1/2 BOLT
3	4	NUT.5JAMLOCK	1/2 THIN LOCK NUT
4	1	RC1520-1Q1	CAP:1-1/2 X 2 RECTANGLE PLUG
5	3	H-SEATRCKS-N	PLASTIC SEAT GUIDES(PP229)NEW)
6	1	H-SEATRCKS-RIB	SEATRACK BACK
7	1	8773701	PATENT DECAL
8	1	SERIAL NUMBER	SERIAL NUMBER
9	1	CST4-C01	ASSY, STD SEAT 4
10	1	CSTD-ST-1	ASSY, STD ST

WEIGHT = 45 lb
 LENGTH = 31"
 WIDTH = 22 1/4"
 HEIGHT = 38 3/8"

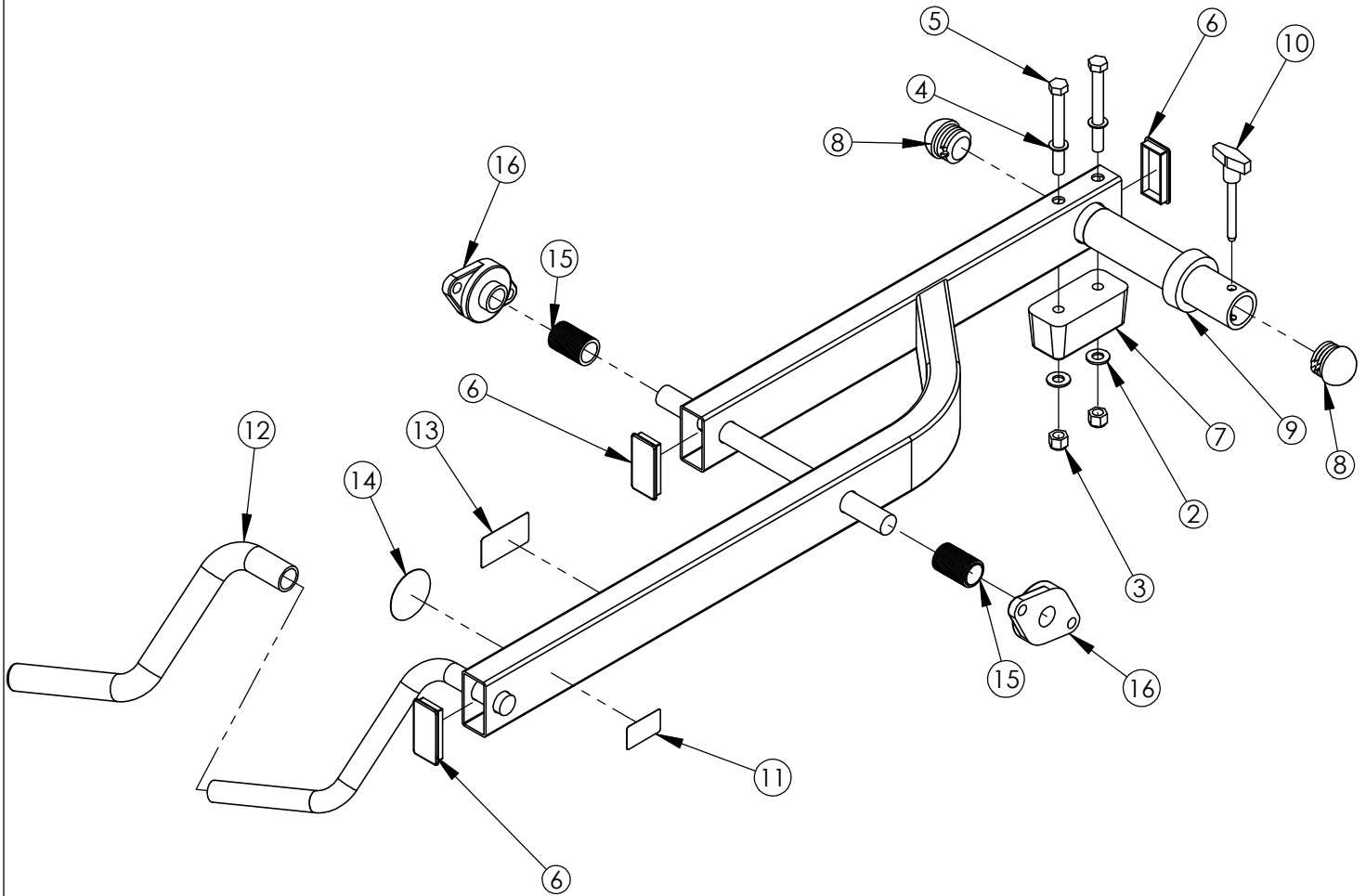
**HAMMER STRENGTH EQUIPMENT
ILPD-CTX-1, ASSY, ILPD, TOP FRAME**



ITEM NO.	QTY.	PART NO.	DESCRIPTION
2	8	H-BACK-WASH	BACKING WASHER
3	8	HHB.5X3	1/2 X 3 BOLT
4	8	NUT.5LOCK	1/2 DIA THICK LOCK NUT
5	2	H-HPLUG (REG)	9/16IN HOLE PLUG
6	6	RC1530-1Q1	CAP:1-1/2 X 3 RECTANGLE PLUG
7	2	STAY CLEAR	STAY CLEAR DECAL

WEIGHT = 31 LB
 LENGTH = 41 1/4"
 WIDTH = 14 5/8"
 HEIGHT = 4 7/8"

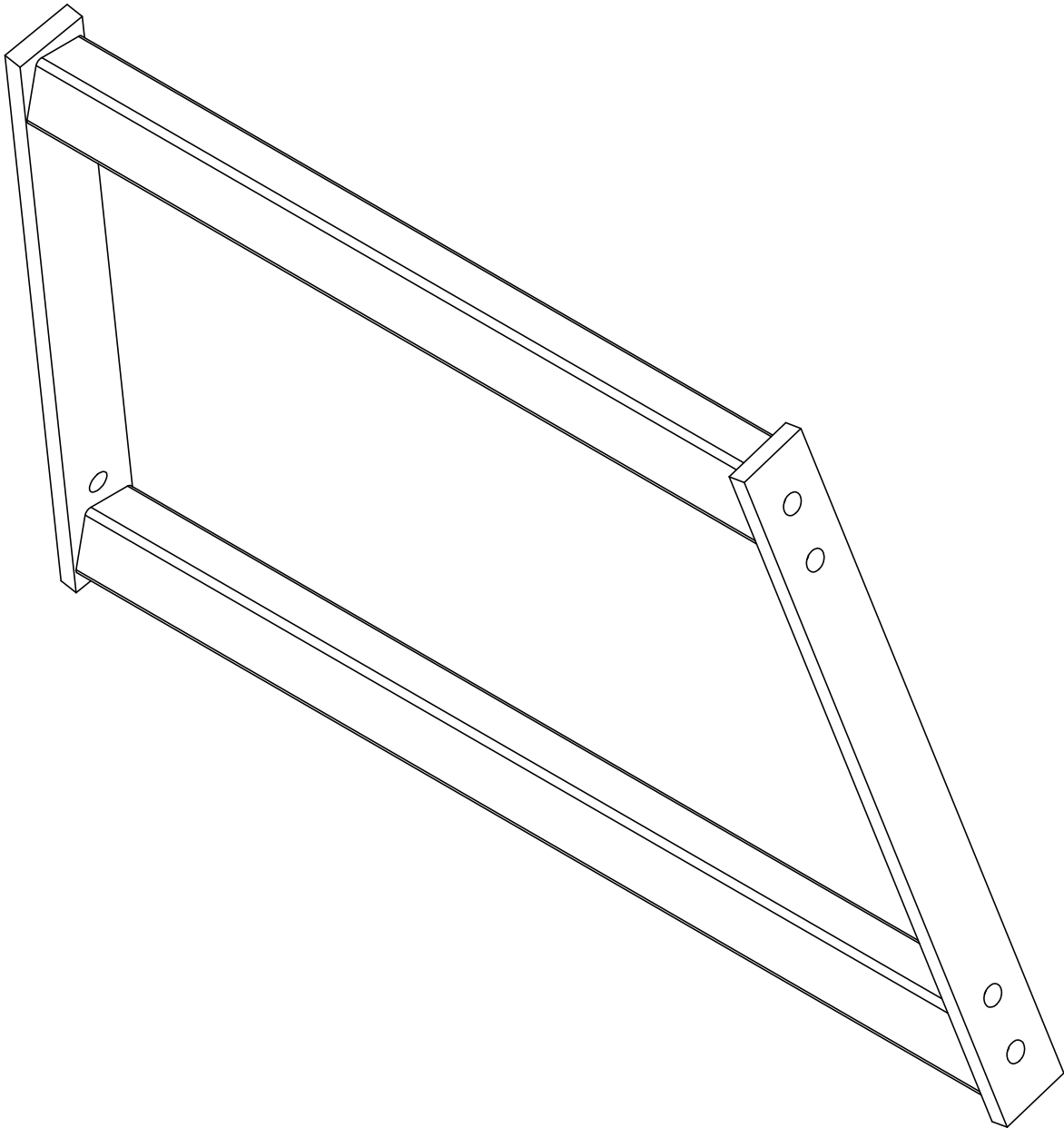
HAMMER STRENGTH EQUIPMENT
ILPD-CMAL-2, ASSY, ILPD, LEFT MARM



ITEM NO.	QTY.	PART NO.	DESCRIPTION
	2	WASH.5SAE	1/2" SAE FLAT WASHER
3	2	NUT.5LOCK	1/2 DIA THICK LOCK NUT
4	2	WASH.5STAR	1/2" INTERNAL LOCK WASHER
5	2	HQB.5X4.5	1/2 X 4 1/2 BOLT
6	3	RC1530-1Q1	CAP:1-1/2 X 3 RECTANGLE PLUG
7	1	H-BUMP-MED	MM2 MEDIUM
8	2	RUBCAP1-2	RUBBER CAP #1
9	1	H-RUBRNG	MM5 RING
10	1	SELECTOR PIN-3	SELECTOR PIN 3 IN.
11	1	STAY CLEAR	STAY CLEAR DECAL
12	1	H-GRIP	HANDLE GRIPS (.938X16)
13	1	PATENT	PATENT DECAL
14	1	DECAL-LH	DECAL LEFT HAND
15	2	ACCORDIAN	SHAFT GUARD
16	2	H-BEAR-SML	SMALL BEARING

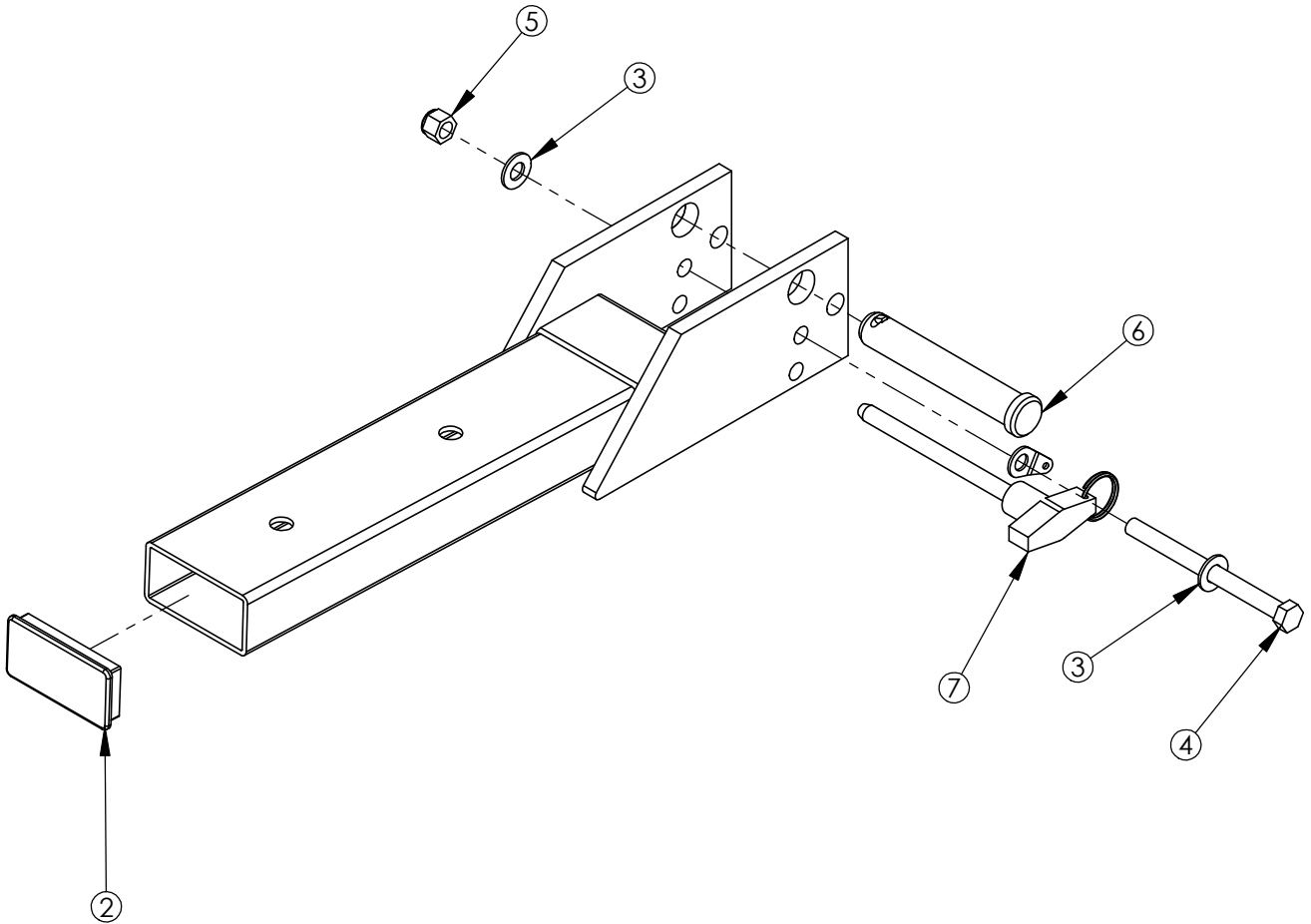
WEIGHT = 32.6 LB
 LENGTH = 55"
 WIDTH = 14 1/2"
 HEIGHT = 10"

HAMMER STRENGTH EQUIPMENT
ILPD-FX-0, WLDMT, ILPD, REAR H-FRAME



WEIGHT = 23 lb
LENGTH = 30 3/4"
WIDTH = 20"
HEIGHT = 2"

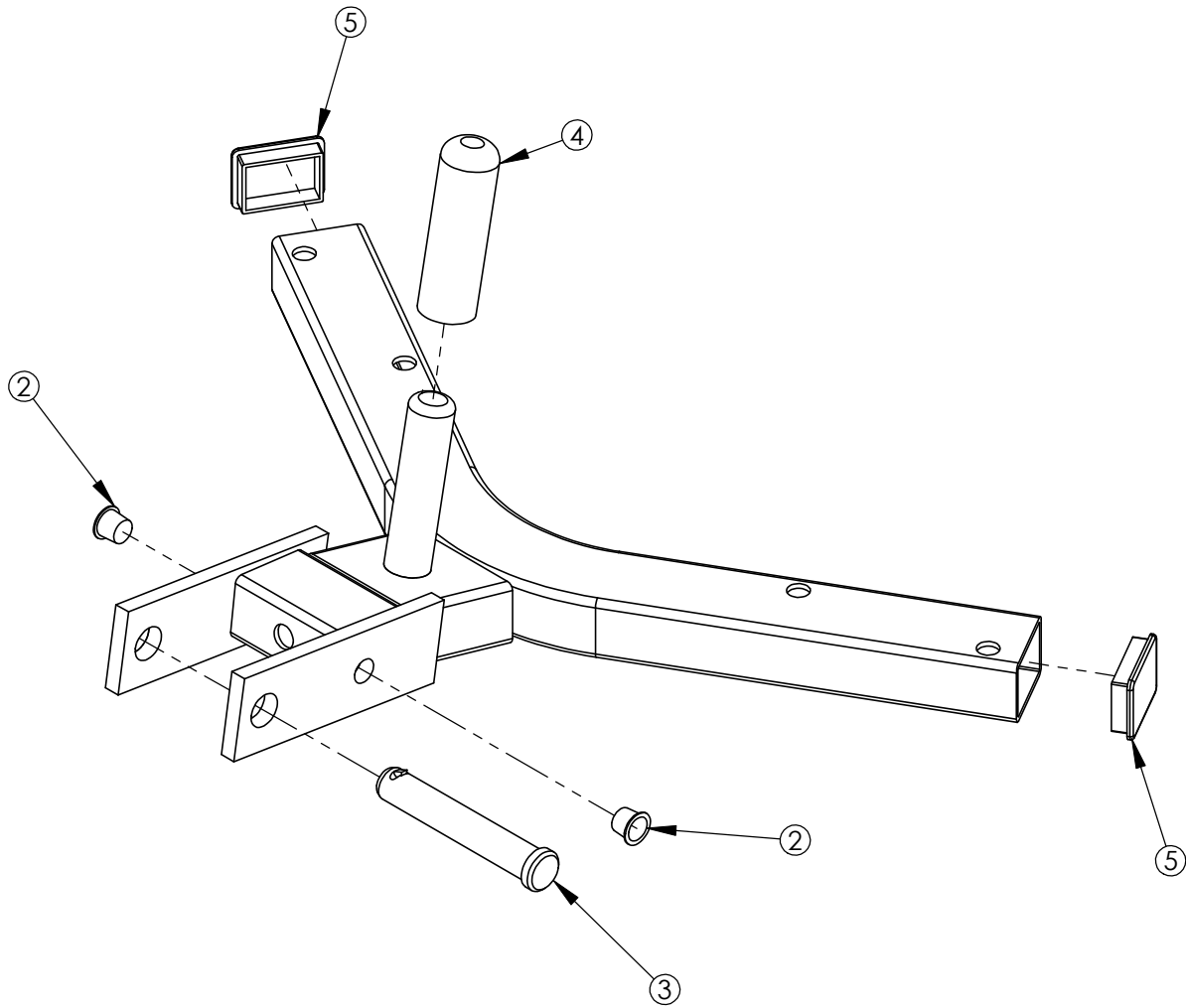
HAMMER STRENGTH EQUIPMENT
CSTD-ST-1: ASSY, STD ST



ITEM NO.	QTY.	PART NO.	DESCRIPTION
2	1	RC1530-1Q1	CAP:1-1/2 X 3 RECTANGLE PLUG
3	2	WASH.375SAE	3/8" SAE FLAT WASHER
4	1	HHB.375X4.5	STEEL BOLT 3/8 X 4.5
5	1	NUT.375LOCK	3/8 THICK LOCK NUT
6	1	STD SEAT PIN	STD SEAT PIN
7	1	SELECTPIN	ASSY, STD SEAT SELECTOR PIN

WEIGHT = 9 lb
 LENGTH = 17"
 WIDTH = 4 3/4"
 HEIGHT = 3"

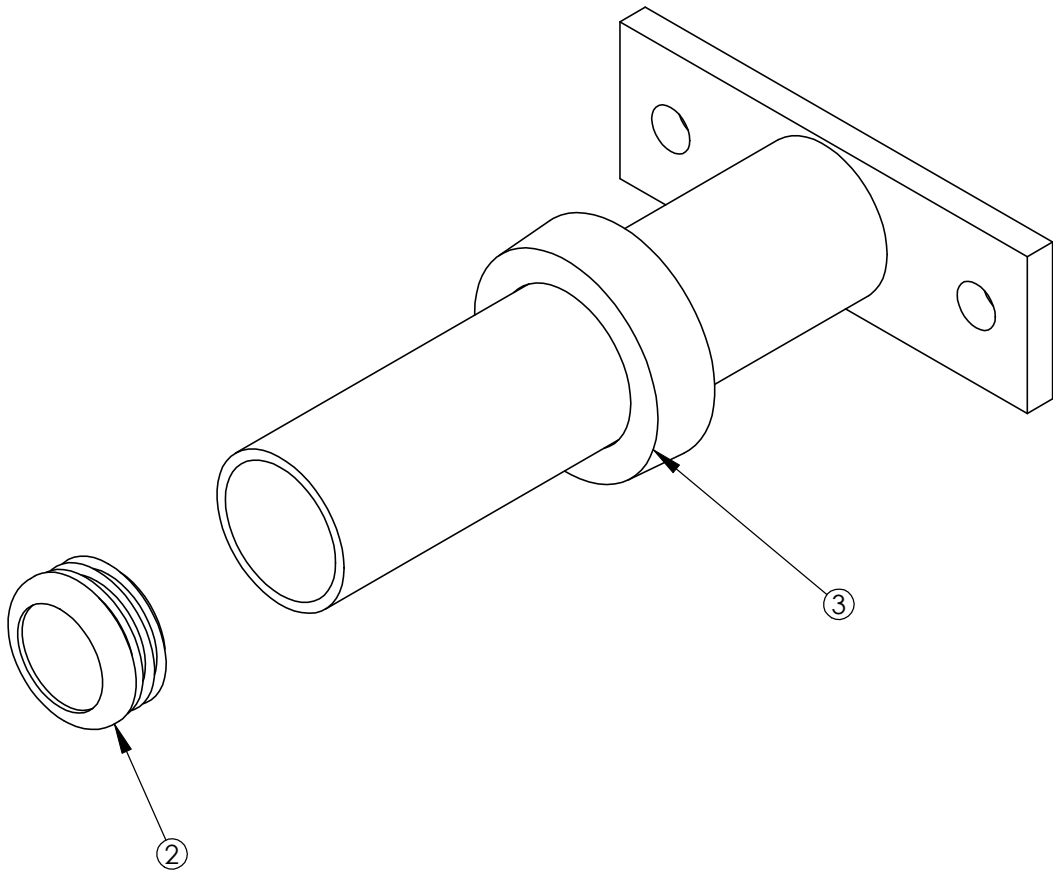
HAMMER STRENGTH EQUIPMENT
CST4-C01: ASSY, STD SEAT 4



ITEM NO.	QTY.	PART NO.	DESCRIPTION
2	2	H-HPLUG (REG)	9/16IN HOLE PLUG
3	1	STD SEAT PIN	STD SEAT PIN
4	1	H-GRIP	HANDLE GRIPS (.938X16)
5	2	RC1520-1Q1	CAP:1-1/2 X 2 RECTANGLE PLUG

WEIGHT = 11 lb
 LENGTH = 16"
 WIDTH = 22 1/4"
 HEIGHT = 6"

HAMMER STRENGTH EQUIPMENT
H-HORN-ASSY: WEIGHT HORN ASSEMBLY



ITEM NO.	QTY.	PART NO.	DESCRIPTION
2	1	8078001	CAP, END 1.75 DIA RD 14-20 GA
3	1	H-RUBRNG	MM5 RING

WEIGHT = 3 1/4 lb
 LENGTH = 8 5/8"
 WIDTH = 6"
 HEIGHT = 3"